

USB TYPE-C Controller with Power Delivery

Features

- USB Type-C Controller
 - Sink, Source and DRP modes
 - Attachment and Detachment
 - Detection of Cable Orientation
 - VCONN Switch
 - Advertises Three Currents
- USB Power Delivery (USB PD)
 - Supports USB PD Revision 3.0
 - Host / Device Mode Configuration
 - Bi-Phase Marked Coding for Encoding / Decoding
 - Physical Layer Protocol
- 28 V Withstanding Rating on VBUS and CC Pins
- Smart Charger Detection Based on BC1.2
- High Speed I²C Interface up to 3.4 MHz
- 25-Bump, 2.37 mm x 2.37 mm WLCSP package

Applications

- Mobile and Smart Phones
- Tablets
- Portable Devices

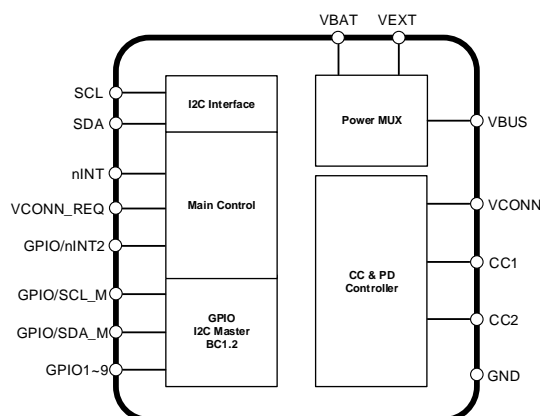
Description

The SM5517 is a highly integrated Interface IC that features a stand-alone USB Type-C controller for Sink, Source and DRP modes, VCONN switch and USB Power Delivery protocol over CC pins based MCU. It contains a 28 V withstanding voltage for CC1 and CC2 pins with a programmable OCP on VCONN. The device is available in 2.37 mm x 2.37 mm WLCSP package.

Device Information

Part	Package	Size
SM5517	25 WLCSP	2.37 mm x 2.37 mm

Simplified Block Diagram



Silicon Mitus cannot assume any responsibility for the consequence of use of information furnished nor for any infringement of patents or other rights of third parties which may result from its use. No Circuit patent licenses are implied. Silicon Mitus reserves the right to change the circuitry and specifications without notice at any time. This publication supersedes and replaces all information previously supplied. Silicon Mitus products are not authorized for use as critical components in life support devices or systems without the express written approval of Silicon Mitus.

© 2018 Silicon Mitus, Inc. - Printed in Korea - All Rights Reserved