

**USB Type-C Port Protection IC with 2:1 MUX High-Speed Switch**

**Features**

- 22 V Withstanding Voltage for D+/D- and VICC1/2 Pins with OVP
- 2:1 MUX High-Speed up to 400 Mbps Switch
- 16-Pad, 1.8 mm x 2.6 mm UML Package

**Applications**

- Mobile and Smart Phones
- Tablets
- Portable Devices

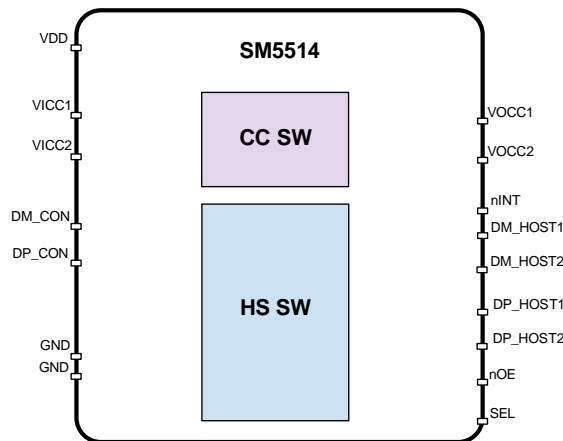
**Description**

The SM5514 is an integrated Interface IC that features a 2:1 MUX high-speed switch up to 400 Mbps, 22 V withstanding voltage for CC1, CC2, D- and D+ pins. The device is available in 1.8 mm x 2.6 mm, 16-Pad UML (Ultrathin Molded Leadless) package.

**Device Information**

| Part   | Package | Size            |
|--------|---------|-----------------|
| SM5514 | 16 UML  | 1.8 mm x 2.6 mm |

**Simplified Block Diagram**



Silicon Mitus cannot assume any responsibility for the consequence of use of information furnished nor for any infringement of patents or other rights of third parties which may result from its use. No Circuit patent licenses are implied. Silicon Mitus reserves the right to change the circuitry and specifications without notice at any time. This publication supersedes and replaces all information previously supplied. Silicon Mitus products are not authorized for use as critical components in life support devices or systems without the express written approval of Silicon Mitus.

© 2017 Silicon Mitus, Inc. - Printed in Korea - All Rights Reserved